

VÁLVULA GLOBO BRIDADO

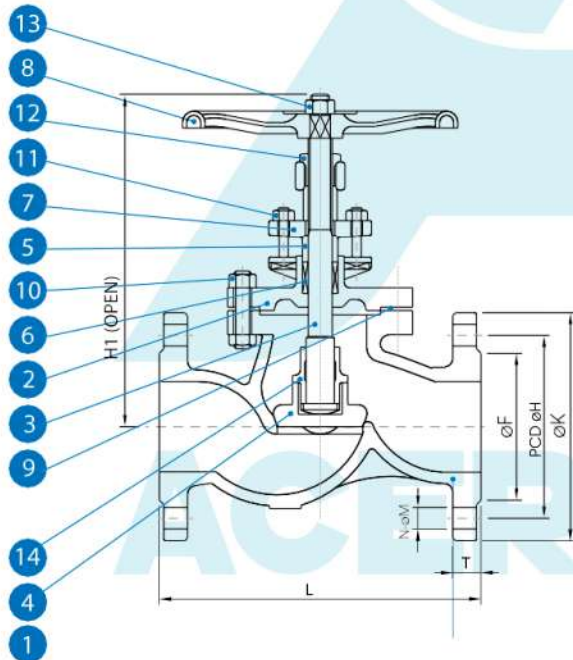


CARACTERÍSTICAS DEL PRODUCTO

- VASTAGO RISIGN
- CUERPO: ASTM A351 Gr. CF8M
- DISCO: ASTM A351 Gr. CF8M
- POTENCIA: SS316
- TIPO DE FINAL: EXTREMO DE BRIDA
- CARA A CARA: ANSI / ASME B16.10
- DIMENSIONES DE LA BRIDA: ANSI / ASME B16.5 150
- GROSOR DE LA PARED: ANSI / ASME B16.34
- ESTANDAR DE PRUEBA: API 598
- CLASIFICACIONES DE PRESION / TEMPERATURA EN DE ACUERDO CON ASME / ASTM B16.34

LISTA DE MATERIALES

| | NOMBRE DE LA PARTE | MATERIAL | CANTIDAD |
|----|------------------------------|--------------------------------------|----------|
| 1 | CUERPO | ASTM A351 Gr. CF8M | 1 |
| 2 | CAPÓ | ASTM A351 Gr. CF8M | 1 |
| 3 | MADRE | ASTM A276 Gr. 316 | 1 |
| 4 | DESCT | ASTM A351 Gr. CF8M | 1 |
| 5 | GLÁNDULA | ASTM A351 Gr. CF8 | 1 |
| 6 | EMBALAJE DE PRENSAESTOPAS | PTFE | 1 |
| 7 | BRIDA DE PRENSAESTOPAS | ASTM A351 Gr. CF8 | 1 |
| 8 | RUEDA DE MANO | ASTM A536 Gr. B65-45-12 | 1 |
| 9 | EMPAQUETADURA | PTFE (O NO ASBESTOS) | 1 |
| 10 | TORNILLO / TUERCA DE BONNET | ASTM A193 Gr. B8 / ASTM A194 Gr. 8 | 4-16 |
| 11 | PERNO PRENSAESTOPAS / TUERCA | ASTM A193 Gr. B8 / ASTM A194 Gr. 8 | 2 |
| 12 | MANGA YUGO | BRONCE (O RESISTENTE A LA DUCTILINA) | 1 |
| 13 | TUERCA DE VOLANTE | ACERO | 1 |
| 14 | PRENSAESTOPAS DE DISCO | SS316 / SS304 | 1 |



Pasión por el acero

DIMENSIONES

| TALLA | | L | | H1 | | K | | H | | F | | T | | METRO | | norte | CV | Peso | |
|---------|-----|---------|-----|---------|-----|---------|-----|---------|-------|---------|-----|---------|------|---------|------|-------|--------|--------|--------|
| pulgada | mm | pulgada | mm | pulgada | mm | pulgada | mm | pulgada | mm | pulgada | mm | pulgada | mm | pulgada | mm | | | Kg | Libra |
| 1/2" | 15 | 4.25 | 108 | 6.77 | 172 | 3.94 | 100 | 2.38 | 60.5 | 1.38 | 35 | 0.44 | 11.2 | 0.62 | 15.7 | 4 | 5.0 | 3.00 | 6.61 |
| 3/4" | 20 | 4.63 | 117 | 6.77 | 172 | 3.94 | 100 | 2.76 | 70.0 | 1.69 | 43 | 0.44 | 11.2 | 0.62 | 15.7 | 4 | 8.5 | 3.50 | 7.71 |
| 1" | 25 | 5.00 | 127 | 6.89 | 175 | 3.94 | 100 | 3.13 | 79.5 | 2.01 | 51 | 0.44 | 11.2 | 0.62 | 15.7 | 4 | 11.0 | 4.40 | 9.69 |
| 1 1/4" | 32 | 5.50 | 140 | 8.78 | 223 | 4.62 | 117 | 3.50 | 88.9 | 2.50 | 64 | 0.50 | 12.7 | 0.62 | 15.7 | 4 | 16.0 | 6.75 | 14.87 |
| 1 1/2" | 40 | 6.50 | 165 | 8.15 | 207 | 5.51 | 140 | 3.88 | 98.5 | 2.87 | 73 | 0.56 | 14.3 | 0.62 | 15.7 | 4 | 19.0 | 7.90 | 17.40 |
| 2" | 50 | 8.00 | 203 | 9.13 | 232 | 6.30 | 160 | 4.74 | 120.5 | 3.62 | 92 | 0.63 | 15.9 | 0.75 | 19.0 | 4 | 32.0 | 11.40 | 25.11 |
| 2 1/2" | 65 | 8.50 | 216 | 10.75 | 273 | 7.09 | 180 | 5.49 | 139.5 | 4.13 | 105 | 0.69 | 17.5 | 0.75 | 19.0 | 4 | 48.0 | 17.00 | 37.44 |
| 3" | 80 | 9.50 | 241 | 11.93 | 303 | 7.87 | 200 | 6.00 | 152.5 | 5.00 | 127 | 0.75 | 19.1 | 0.75 | 19.0 | 4 | 80.0 | 20.50 | 45.15 |
| 4" | 100 | 11.50 | 292 | 13.39 | 340 | 8.82 | 224 | 7.50 | 190.5 | 6.18 | 157 | 0.94 | 23.9 | 0.75 | 19.0 | 8 | 110.0 | 31.00 | 68.28 |
| 5" | 125 | 14.00 | 356 | 15.16 | 385 | 9.84 | 250 | 8.50 | 216.0 | 7.32 | 186 | 0.94 | 23.9 | 0.88 | 22.3 | 8 | 190.0 | 45.00 | 99.12 |
| 6" | 150 | 16.00 | 406 | 17.64 | 448 | 11.81 | 300 | 9.51 | 241.5 | 8.50 | 216 | 1.00 | 25.4 | 0.88 | 22.3 | 8 | 450.0 | 60.00 | 132.16 |
| 8" | 200 | 19.50 | 495 | 21.46 | 545 | 13.98 | 355 | 11.75 | 298.5 | 10.63 | 270 | 1.13 | 28.6 | 0.88 | 22.3 | 8 | 800.0 | 100.00 | 220.26 |
| 10" | 250 | 24.50 | 622 | 26.22 | 666 | 17.72 | 450 | 14.25 | 362.0 | 12.76 | 324 | 1.19 | 30.2 | 1.00 | 25.4 | 12 | 1200.0 | 173.00 | 381.06 |