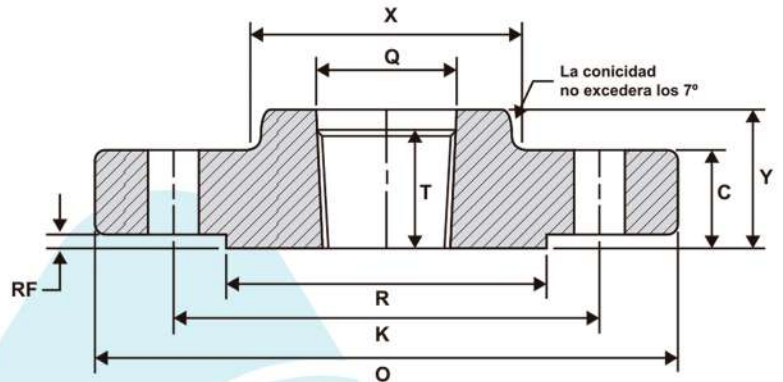




BRIDAS ROSCADAS INOX. C-304 X 150



Medida Nominal		Dia. Exterior de Brida(O)	Espesor de Brida(C)	Dia. del Eje la Base (X)	Dia. del Eje a los Agujeros (K)	Largo a través de Eje (Y)	Raised Face (RF)	Dia. de Raised Face (R)	Dia. de Agujero(Q)	Alto de Rosca (T)	Dia. Agujeros	Núm. de Agujeros	Kgs. Aprox.
(pulg)	(mm)												
1/2"	12	88.9	11.1	30.2	60.4	15.7	1.5	35.0	22.3	15.7	15.7	4	0.4
3/4"	18	98.5	12.7	38.1	69.8	15.7	1.5	42.9	27.6	15.7	15.7	4	0.7
1"	25	107.9	14.2	49.2	79.2	17.5	1.5	50.8	34.5	17.5	15.7	4	0.9
1 1/4"	31	117.3	15.7	58.6	88.9	20.5	1.5	63.5	43.1	20.5	15.7	4	1.2
1 1/2"	38	127.0	17.5	65.0	98.5	22.3	1.5	73.1	49.5	22.3	15.7	4	1.5
2"	50	152.4	19.0	77.7	120.6	25.4	1.5	91.9	61.9	25.4	19.0	4	2.3
2 1/2"	63	177.8	22.3	90.4	139.7	28.4	1.5	104.6	74.6	28.4	19.0	4	3.7
3"	75	190.5	23.8	107.9	152.4	30.2	1.5	127.0	90.6	30.2	19.0	4	4.2
4"	100	228.6	23.8	134.8	190.5	33.2	1.5	157.2	103.3	33.2	19.0	8	5.9
5"	125	254.0	23.8	163.5	215.9	36.5	1.5	185.8	116.0	36.5	22.3	8	7.0
6"	150	279.4	25.4	192.0	241.3	39.6	1.5	215.9	143.7	39.6	22.3	8	8.4
8"	200	342.9	28.4	246.1	298.4	44.4	1.5	269.7	170.8	44.4	22.3	8	13.0
10"	250	406.4	30.2	304.8	361.9	49.2	1.5	323.8	221.4	49.2	25.4	12	17.8
12"	300	482.6	31.7	365.2	431.8	55.6	1.5	381.0	276.3	55.6	25.4	12	29.5
14"	350	533.4	35.0	400.0	476.2	57.1	1.5	412.7	327.1	57.1	28.4	12	39.0
16"	400	596.9	36.5	457.2	539.7	63.5	1.5	469.9	359.1	63.5	28.4	16	42.0
18"	450	635.0	39.6	504.9	577.8	68.3	1.5	533.4	410.4	68.3	31.7	16	54.0
20"	500	698.5	42.9	558.8	635.0	73.1	1.5	584.2	461.7	73.1	31.7	20	68.0
24"	600	812.8	47.7	663.4	749.3	82.5	1.5	692.1	513.0	82.5	35.0	20	93.0

PRESIÓN DE TRABAJO (PIS)

TEMPERATURA		CLASES			
°C	°F	150	300	600	900
< 38	< 100	285	740	1480	2220
93	200	260	680	1360	2035
149	300	230	655	1310	1965
204	400	200	635	1265	1900
260	500	170	605	1205	1810
316	600	140	570	1135	1705
343	650	125	550	1100	1650
371	700	110	530	1060	1590
399	750	95	505	1015	1520
427	800	80	410	825	1235
454	850	65	320	640	955
482	900	50	230	460	690
510	950	35	135	275	410
538	1000	20	85	170	255